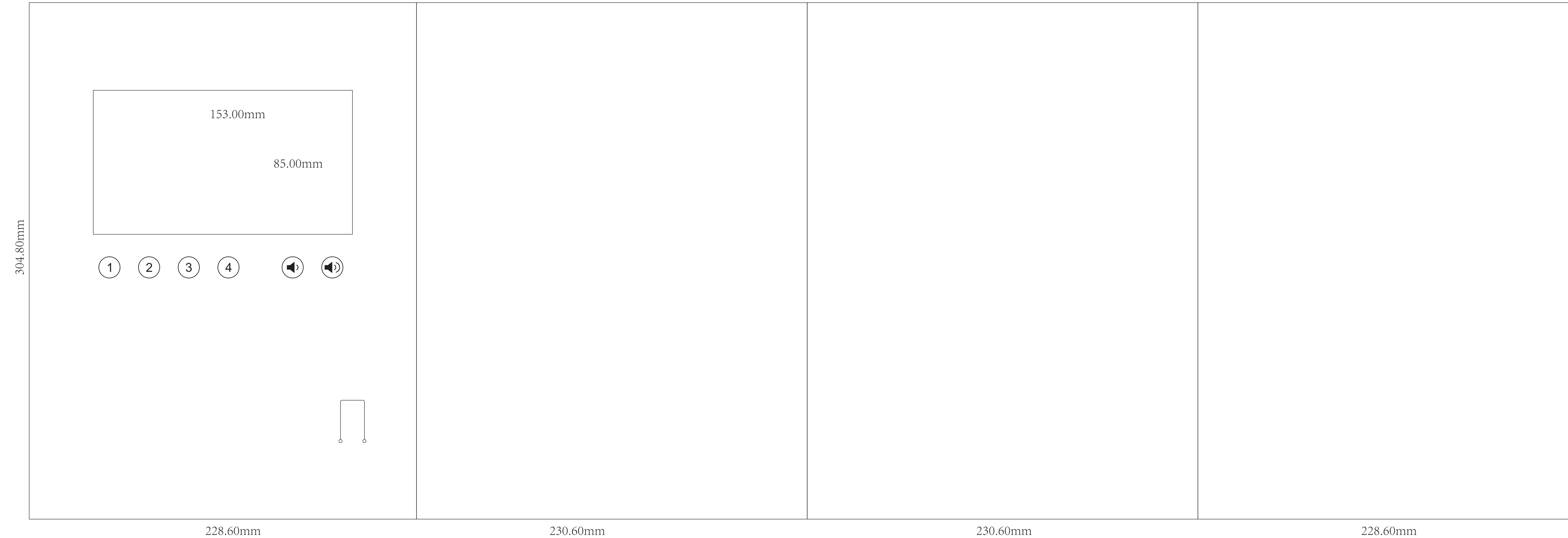


BACK

FRONT

INSIDE LEFT



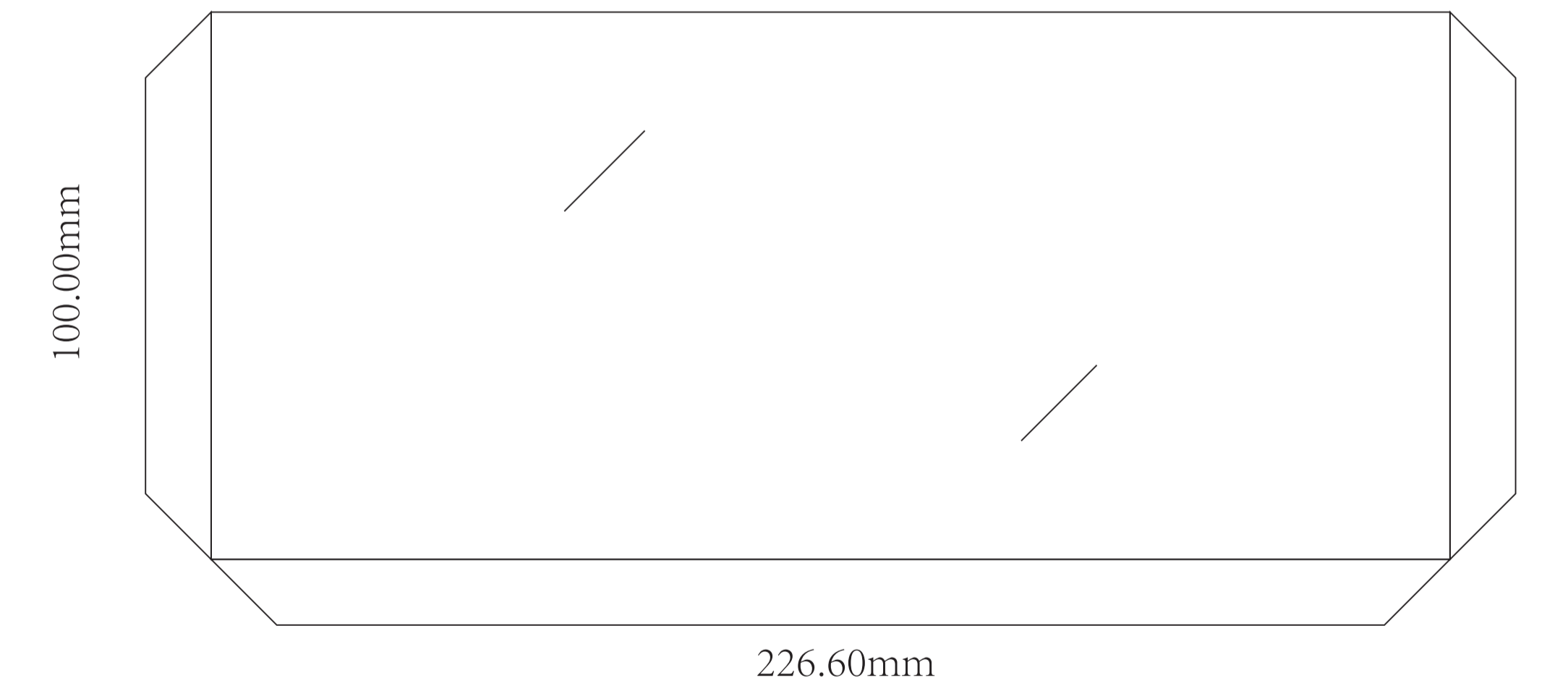
9" X 12" SUPER SLIM POCKET FOLDER

Note: Please place your design over our template and keep as a separate layer then save as layered or outlined High Quality Print PDF.

If using Illustrator, please make sure all fonts are outlined. We will review all artwork to ensure everything is set up correctly prior to print.

Email print ready artwork file to info@printavizion.com

POCKET



***Please Add .25 Bleed to Your Artwork**